

Healthcare and senior care equipment



CONTENTS

INFORMATION ABOUT LOJER GROUP

5 LOJER SERVICE

6 NURSING AND CARE BEDS

ScanAfia XHS nursing bed

ScanAfia XL nursing bed

Modux folding care bed

14 HOSPITAL BEDS

ScanAfia XS hospital bed

ScanAfia X ICU hospital bed

Salli hydraulic hospital bed

Accessories for nursing and hospital beds

23 BEDSIDE CABINETS

25 MATTRESSES

27 MEDICAL, TREATMENT AND EXAMINATION CHAIRS

Capre RC recovery chair

Capre MC medical chair

Geriatric chair

Hydraulic nursing chair

Examination and treatment chair

Chairs and stools

34 SHOWER FURNITURE AND TRANSPORT STRETCHERS

35 EXAMINATION AND GYNAECOLOGICAL TABLES

General examination table 4040X

Gynaecological examination table Afia 4050M

Gynaecological examination chair Afia 4060

General examination table E2 (E1 and EG)

44 TRANSFUSION STANDS (IV-POLES)

48 OPERATING TABLES AND ACCESSORIES

49 SYMBOLS

50 UPHOLSTERY OPTIONS



Lojer – The choice of champions



Eva Wahlström
World Champion
Boxing



Own Production and Export to Over 100 Countries

Manufactured in Finland

The steel parts of Lojer's products are made using Finnish raw materials. The company manufactures its own components for its products, and all Lojer products are manufactured entirely in Finland; in fact, Lojer is the only Finnish medical equipment manufacturer to be awarded the Finnish Flag symbol for Finnish workmanship.

Sustainability

Care for the environment has been a key consideration for Lojer for decades, and the company is committed to the continuous development of its environmental policies. Lojer's commitment to recycling can be seen for example in that 100% of its aluminium waste is recycled in the company's own foundry. All Lojer products are manufactured using certified electricity from renewable sources.

Lojer products are CE-marked medical equipment and are developed, tested and manufactured according to ISO9001 and ISO13485 standards. Other manufacturers' products marketed by Lojer have also been tested. Most products fulfil the MDD requirements and are CE-marked medical devices.

HygTech Alliance

Lojer is a member of the Finnish HygTech Alliance, whose companies together offer a comprehensive range of antimicrobial solutions for public places. We are able to supply all surfaces as antimicrobial, significantly lessening the growth and spread of bacteria.

Life Cycle Services

Lojer's life cycle services work flexibly with the customers' needs. They make it easier for care staff to concentrate on the most important thing: caring for their patients and customers. Service agreements are tailored to the customer's needs and wishes, with anything from occasional service and repair needs to Lojer taking full responsibility for supply and maintenance of equipment.

Full service leasing

Lojer's full service leasing concept presents a new way of thinking: it guarantees a hospital or care facility quality, safe and functional equipment at all times. Responsibility for the ownership, functionality and maintenance of equipment rests with Lojer; the customer gets a working facility with modern equipment, which the manufacturer maintains and services regularly. Lojer is also happy to take over responsibility for the ownership and maintenance of customers' old equipment.

Spare Parts

Lojer has decades of experience and expertise in medical equipment. As a result, the company's spare parts services can supply parts even for equipment that is 20-30 years old. Our fast service and own factories in Finland mean that parts are dispatched quickly from our own logistics centre, many times even with next day delivery.



Watch a video of Lojer's manufacturing facilities
<http://bit.ly/lojerfactory>



Lojer Service



Recycling

If agreed Lojer Oy takes care of the out of order medical furniture, also other brands. We collect the medical furniture, unassembled them and take care of the recycling. Available in the Nordics.



Financing

Leasing is a handy alternative for organizations that are not willing to bind capital into investment goods. The duration of the leasing agreement typically is between 36 – 60 months and it always needs a positive credit decision of the financing company. Available in the Nordics.



Spare parts

Lojer's spare parts services can supply parts even for equipment that is 20-30 years old. Our fast service and own factories in Finland mean that parts are dispatched quickly from our own logistics centre, many times even with next day delivery.



Customer service

Given professional service, Lojer products last longer and life cycle expenses reduce considerably. We offer service trainings to our distributors and a customer service team ready to help you!



Nursing and care beds



Quality products from Finland

ScanAfia XHS nursing bed

The ScanAfia XHS nursing bed is the number one quality choice for the healthcare professional. The newest bed in the product range, it has been designed to suit a variety of care environments where design and appearance are appreciated as much as reliability and ease of use. The bed's exceptional height adjustment range makes it safer and more comfortable to use for recuperating patients and makes work easier for carers.

Available with new, modern white oak Scandic bed ends.



Product pictured with optional white oak Scandic bed ends and double castors.



Main features

- 1 High load capacity, SWL 260 kg
- 2 Low bed height (from 32 cm) improves patient safety and independence
- 3 Back section sliding mechanism prevents patient slipping downwards and improves comfort

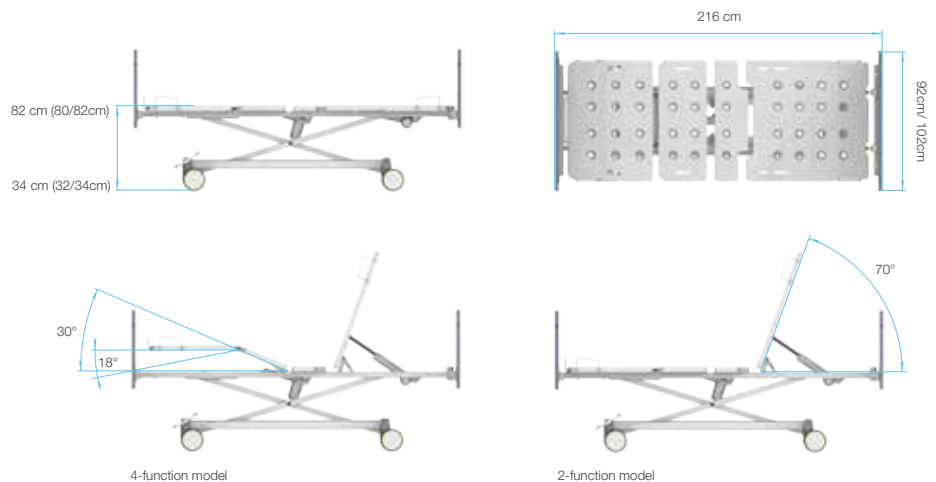
Technical features



Other accessories

- Special length (extendable) model
- Set of bumper rollers (factory installed)
- Lifting pole with triangle handle
- Lift support
- IV-pole with one hand quick adjustment
- Reading lamp
- Extra height adjustment kit of the side rail (factory installed)
- Padded coating on top of the side rail, one unit
- Urine bag holder
- Reading and dining tray, on top of the side rails
- Nurse locking panel (allows functions to be locked to prevent patient use)
- Flexible hand controller holder
- Recommended size of the mattress 78/88 * 205 * 13 cm
- Bed ends: Classic beech, Classic birch and Scandic white oak (option)

Dimensions



ScanAfia XL -nursing bed

A special sized nursing bed

The ScanAfia XL nursing bed has been designed with larger patients or users in mind, who appreciate its extra width. The ScanAfia XL fits a 120 cm wide mattress, and its maximum safe working load (SWL) is 285 kg. The bed features large double castors, making it easy to manoeuvre without compromising its sturdiness.

Style and space – without compromising on features



Main features

- 1 Mattress base width 120 cm for increased comfort and safety
- 2 Maximum load (SWL) 285 kg enables care of larger patients
- 3 Impressive height adjustment range improves patient independence and carer comfort

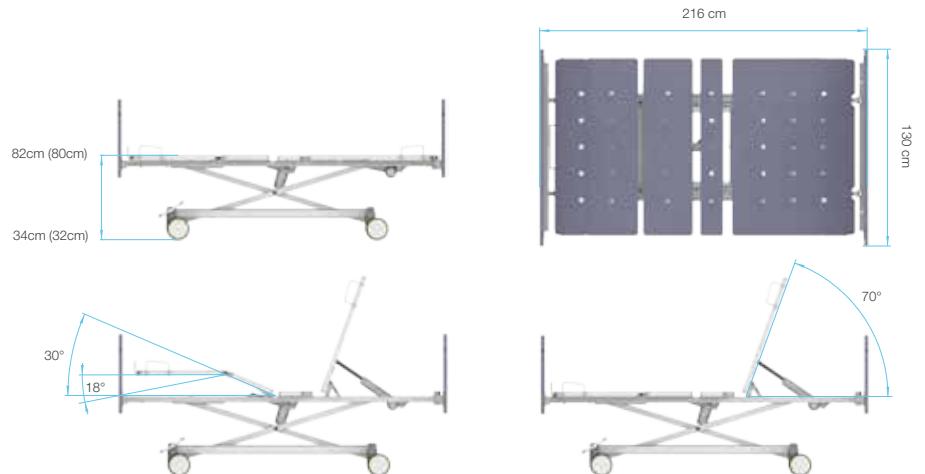
Technical features



Other accessories

- Set of bumper rollers (factory installed)
- Lifting pole with triangle handle
- Lift support
- IV-pole with one hand quick adjustment
- Reading lamp
- Extra height adjustment kit of the side rail (factory installed)
- Padded coating on top of the side rail, one unit
- Urine bag holder
- Nurse locking panel (allows functions to be locked to prevent patient use)
- Flexible hand controller holder
- Recommended size of the mattress 118* 205 * 13 cm
- Bed ends: Scandic white oak

Dimensions



Modux folding care bed

Best-selling folding care bed

The patented Modux care bed folds quickly and easily for transport or storage. The Modux is the perfect care bed for units loaning equipment for home care, or as a flexible solution for nursing homes. Although the Modux is a folding bed it still has all the same features as other nursing beds, including a very low minimum height. The Modux can also be adjusted to a comfortable position similar to a beach lounger.

A flexible solution for long and short-term needs



Ready for use in just a few minutes, without tools



Watch a video of
Modux folding care bed
<http://bit.ly/moduxvuode>

Main features

- 1 Small footprint for storage (just 60 cm x 90/100 cm when folded for transport or storage)
- 2 Folds using electric motors at the press of a button, no tools required
- 3 Available in 80 cm and 90 cm widths

Technical features

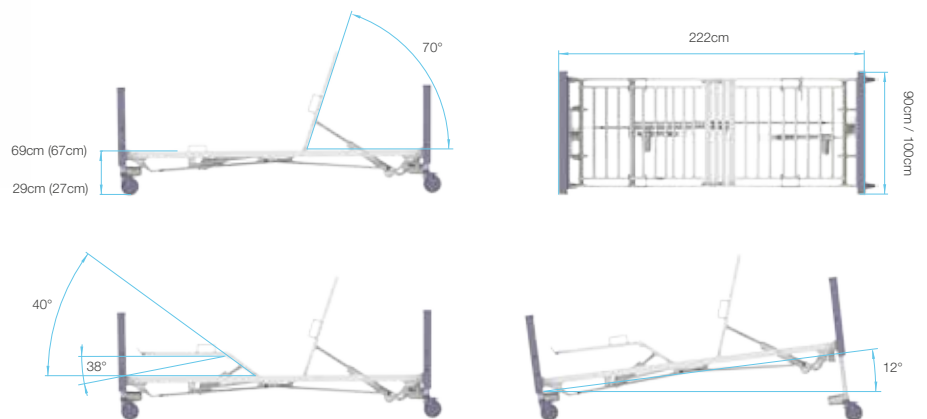


Other accessories

- Lifting pole with triangle handle
- Lift support
- IV-pole with one hand quick adjustment
- Reading and dining tray, on top of the side rails
- Reading lamp
- Padded coating on top of the side rail, one unit
- Recommended size of the mattress 78/88* 205 * 13 cm
- Bed ends: birch



Dimensions



Hospital beds





Pictured: Pohjola Hospital, Tampere (Finland)

ScanAfia XS hospital bed

The right choice for hospital wards

The ScanAfia XS hospital bed is the safe choice for use in hospital wards. The patented hospital bed has been designed with the needs of healthcare professionals in mind for hospitals, healthcare centres and similar facilities. The design of the ScanAfia XS places emphasis on both ergonomic working for care staff and patient comfort. The back section slide mechanism prevents the patient sliding to the foot end of the bed.

The bed's exceptional height adjustment range makes it safer and more comfortable for care staff and for patients to get in and out of bed. The ScanAfia XS has been tested to fulfil the requirements of the EN 60601-2-52 standard for medical beds.

Excellent patient and carer comfort, manoeuvrability and adjustability



Product pictured with optional accessories.

Main features

- 1 Ergonomic working thanks to impressive height adjustment range
- 2 High load capacity: SWL 260 kg
- 3 Easy to manoeuvre thanks for double castor wheels

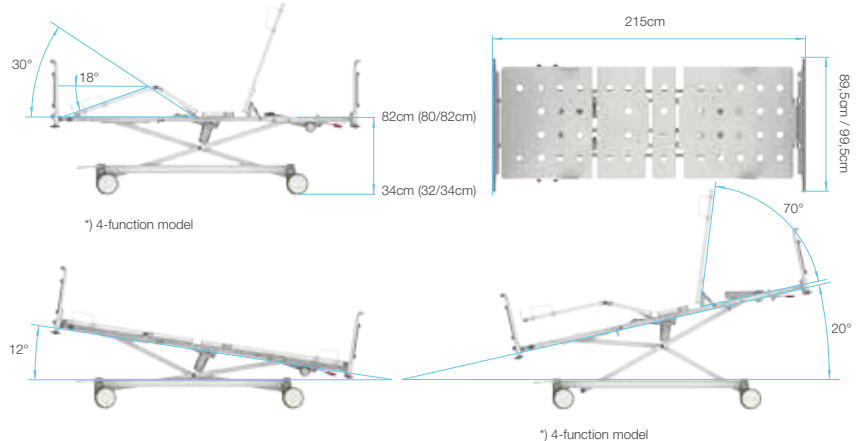
Technical features



Other accessories

- Special length (extendable +15 cm) model
- Extra height side rails
- Lifting pole with triangle handle
- Lift support
- IV-pole with one hand quick adjustment
- Auxiliary tray (for linen)
- Electric CPR
- Bed end (head section)
- Bed end with monitor tray
- Urine bag holder
- Reading and dining tray, on top of the side rails
- Nurse locking panel (allows functions to be locked to prevent patient use)
- Flexible hand controller holder
- Recommended mattress size 78/88 * 205 * 13 cm
- Bed ends: white, blue, yellow and light green

Dimensions



ScanAfia X ICU hospital bed

The professional's choice for demanding use

The ScanAfia X ICU S hospital bed is similar has the same features as the XS model but it has been specifically designed for use in intensive care units. A nurse operation panel is fitted as standard, enabling the locking of functions from the patient as well as the control of electric functions such as the Trendelenburg, CPR and heart positions. The back section slide mechanism prevents the patient sliding to the foot end of the bed and improves user comfort.

Able to carry as much as 340 kg, the ScanAfia X ICU is nevertheless light easy to manoeuvre, thanks to the double 150 mm castor wheels fitted as standard. The bed has been designed for long-term use with low life cycle costs. The ScanAfia X ICU has been tested to fulfil the requirements of the EN 60601-2-52 standard for medical beds.

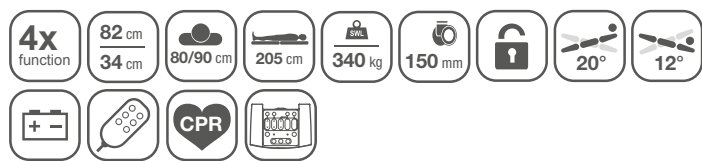
High safe working load enables the safe care of large patients



Main features

- 1 Very high load capacity: SWL 340 kg
- 2 Very easy to manoeuvre thanks for large (150 mm) double castor wheels
- 3 Up to 20° anti-Trendelenburg adjustment for effective heart position

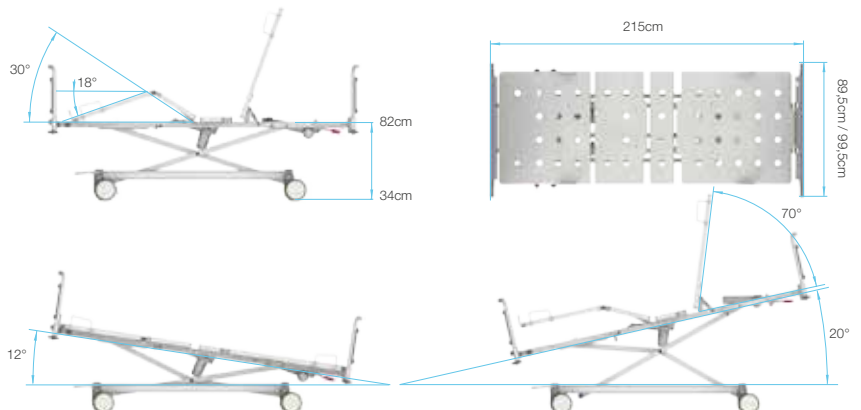
Technical features



Other accessories

- Special length (extendable +15 cm) model
- Extra height side rails
- Lifting pole with triangle handle
- Lift support
- IV-pole with one hand quick adjustment
- Auxiliary tray (for linen)
- Bed end (head section)
- Bed end with monitor tray
- Urine bag holder
- Reading and dining tray, on top of the side rails
- Flexible hand controller holder
- Recommended mattress size 78/88 * 205 * 13 cm
- Bed ends: white, blue, yellow and light green

Dimensions



3

Salli hydraulic hospital bed

Reasonably priced hydraulic hospital bed with excellent mobility

Hydraulic hospital bed Salli is the perfect solution for clinics that need a sturdy, functional and mobile hospital beds at a reasonable price. Based on the design of popular ScanAfia range Salli hydraulic beds have modular construction, meaning flexibility to meet any demands of the medical staff. There is no need for electricity – so you don't have to worry about the power cord that can be a nuisance if the bed is often moved.

High safe working load enables the safe care of large patients



Main features

- 1 Reliable hydraulic functions – no need for electricity
- 2 Easy steering – easy movability
- 3 Large number of accessories

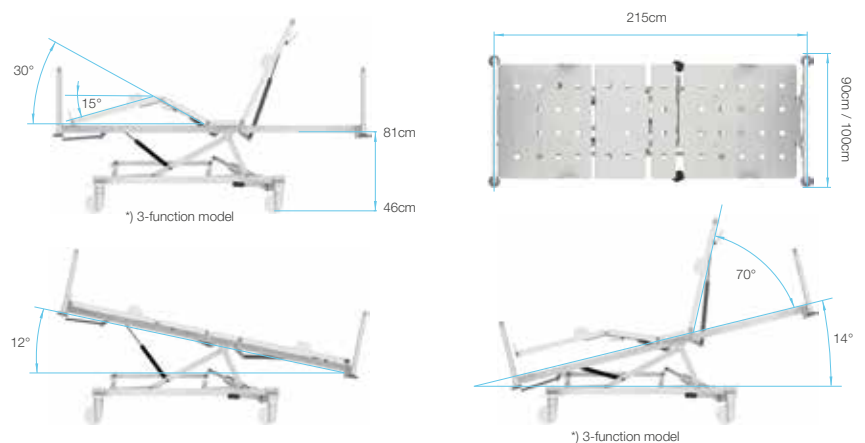
Technical features



Other accessories

- Gas spring assisted back section adjustment 0° – 70°
- Gas spring assisted adjustment for knee break 0° – 30°
- Mechanical lower body part adjustment 0° - 15°
- Central locking castors ø150 mm
- Individually locking castors ø125 mm
- Bed end (head section)
- Bed end with tilting mechanism
- Trendelenburg/anti-trendelenburg 12°/14°
- IV-pole, straight or curved
- Lifting pole
- Reading and dining tray, on top of the side rails
- Lift support
- Pair of metal side rails, epoxy coated/chromium coated
- Pair of side rails, economy model (drop down model)
- Fifth castor for improved mobility
- Recommended size of the mattress 78/88 * 205 * 13 cm
- Bed ends: white, blue, yellow and light green

Dimensions



Accessories for nursing and hospital beds



IV-pole and lifting pole



Holder for crutch and walking stick, installed into IV-pole fixing place



Extension unit, 15cm



Bed end with tilting mechanism



Reading lamp



Nurse locking panel (allows functions to be locked to prevent patient use)



Lift support, turning and easily removable



Padded coating on top of the side rail, one unit



Flexible hand controller holder



Extra height side rail



Fifth castor for improved mobility and decreased turning circle



Battery option



Reading and meal tray 8022, with solid birch, tilting table part, fixed auxiliary part, easy hi-low and lockable castors



Dining tray 2500 for 80 cm and 90 cm wide beds. Tray is made of high pressure laminate and it has wooden edges to prevent items from falling.

Bedside cabinets



Bedside cabinets



Bedside cabinet 2020

The frame of the cabinet table is white epoxy-coated steel. The drawer front panel is available either in IKI high pressure laminate, solid birch or beech. The surface tops are IKI high pressure laminate with rounded corners. The height of the meal tray is easy to adjust and it can be changed between left-handed and right-handed use without the need for tools. The cabinet has four lockable wheels, a safety catch to avoid the risk of the drawers being pulled out, and a slipper rack as standard. Dimensions: w49 x d57 x h90 cm. **Optional accessories:** dining tray that tilts to reading position | Chromium plated side basket | Adapter for attaching nurse call device | Lock for upper drawer

Bed side locker 2040

The frame of the cabinet table is available in solid birch or beech. The IKI high pressure laminate table top is the same colour as the frame, and finished with a rounded birch or beech surround. The height of the meal tray is easy to adjust and can be changed between left-handed and right-handed use without the need for tools. The cabinet has four lockable wheels and a slipper rack as standard, and a nurse calling system can be fitted. Dimensions: w48 x d57 x h90 cm. **Optional accessories:** dining tray that tilts to reading position | Chromium plated side basket | Adapter for attaching nurse call device | Lock for upper drawer



Bed side locker 2300

A new, inexpensive bedside cabinet for home-like use. The cabinet features a drawer and a shelf. The cabinet is solid wood and is available in either white oak or beech colour. Dimensions: w40 x d50 x h65 cm. **Optional accessories:** Lock for the drawer | Independently lockable castors total height with castors 73 cm | Metal drawer runners

Mattresses

Lojer hygiene mattress

The Lojer hygiene mattress is an excellent choice for patients at low or medium risk of bedsores in hospitals, care homes and home care environments, where its easy to clean surfaces are appreciated. The basic mattress is particularly suitable for adjustable beds. It is tested for fire safety (ignitability class SL 1) and the material is breathable. The core of the 13 cm thick contoured mattress is made of durable, flexible foam, and its profiled base makes the mattress feel more airy and supports the patient. The 5 cm thick viscoelastic PU coating material gives the mattress a soft, comfortable surface and helps spread the patient's weight. The covering is a flexible, antibacterially Sanitized-treated hygiene fabric, which can be washed in 90°C. The maximum weight recommendation for the mattress is 150 kg. The mattress is manufactured in Finland and is CE-marked.



Lojer rescue mattress

The Lojer rescue mattress is a practical solution for evacuation situations and directly replaces the previously used separate rescue sheets. The base of the cover is durable, anti-friction material. The hygiene fabric cover features integrated rescue/evacuation straps which are attached with quick locks. In normal use the rescue straps can be hidden inside the mattress, where they do not interfere with dressing the bed. Lifting/pulling straps are found at both ends of the mattress. The cover is made of flexible, antibacterial Sanitized-treated hygiene fabric, which can be washed at 80°C. The Rescue Mattress is an excellent choice for patients at low or medium risk of bedsores in hospitals, residential homes and home care environments, where its easy to clean surfaces are appreciated. The Rescue Mattress is particularly suitable for adjustable beds. It is tested for fire safety (ignitability class SL 1) and the material is breathable. The core of the 13 cm thick contoured mattress is made of durable, flexible foam, and its profiled base makes the mattress feel more airy and supports the patient. The 5 cm thick viscoelastic PU coating material gives the mattress a soft, comfortable surface and helps spread the patient's weight. The maximum patient weight recommendation for the mattress is 150 kg. The mattress is manufactured in Finland and is CE-marked.



Mediflex hygiene mattress

Special profiled hygiene mattress for short term hospital and stay-at-home patients. The mattress is suited for low and medium risk patients. The product is suitable for adjustable beds thanks to its profiled filling and can be used on both sides. Maximum recommended weight 150 kg. This product has been awarded the Finnish Asthma and Allergy Federation Allergy label ®, which guarantees that it contains no substances harmful to health.

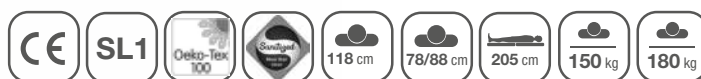
The mattress is made of durable, flexible and fire-retardant foam fill. The wipeable, liquid-proof and breathable cover is made of two dimensional elastic hygiene fabric, treated with Sanitized®. Available in grey. Detachable, washable cover. Zip on detachable cover protected with flap.



Mediflex rescue mattress

The Rescue Mattress is a practical solution for evacuation situations. The cover of the mattress has integrated rescue/evacuation straps. The zips, from behind which the straps can be easily accessed are marked RESCUE in red. The straps are fixed using quick locks, and during normal use they can be hidden inside the mattress to facilitate dressing the bed. Straps for carrying or pulling the mattress are found at both ends. The product meets the legal requirements for healthcare products and equipment, as confirmed by the CE mark.

The cover material is made from two-dimensional elastic antibacterial hygiene fabric, which is treated with Sanitized® and is wipeable and breathable. The base fabric of the cover is made from durable and non-friction material. Ventilation holes along the sides of the cover provide enhanced breathability. The cover is detachable and washable. The zip on the detachable cover is protected by a flap. Available in grey.



Ask for our other mattresses as well

Medical, treatment and examination chairs



Capre RC recovery chair

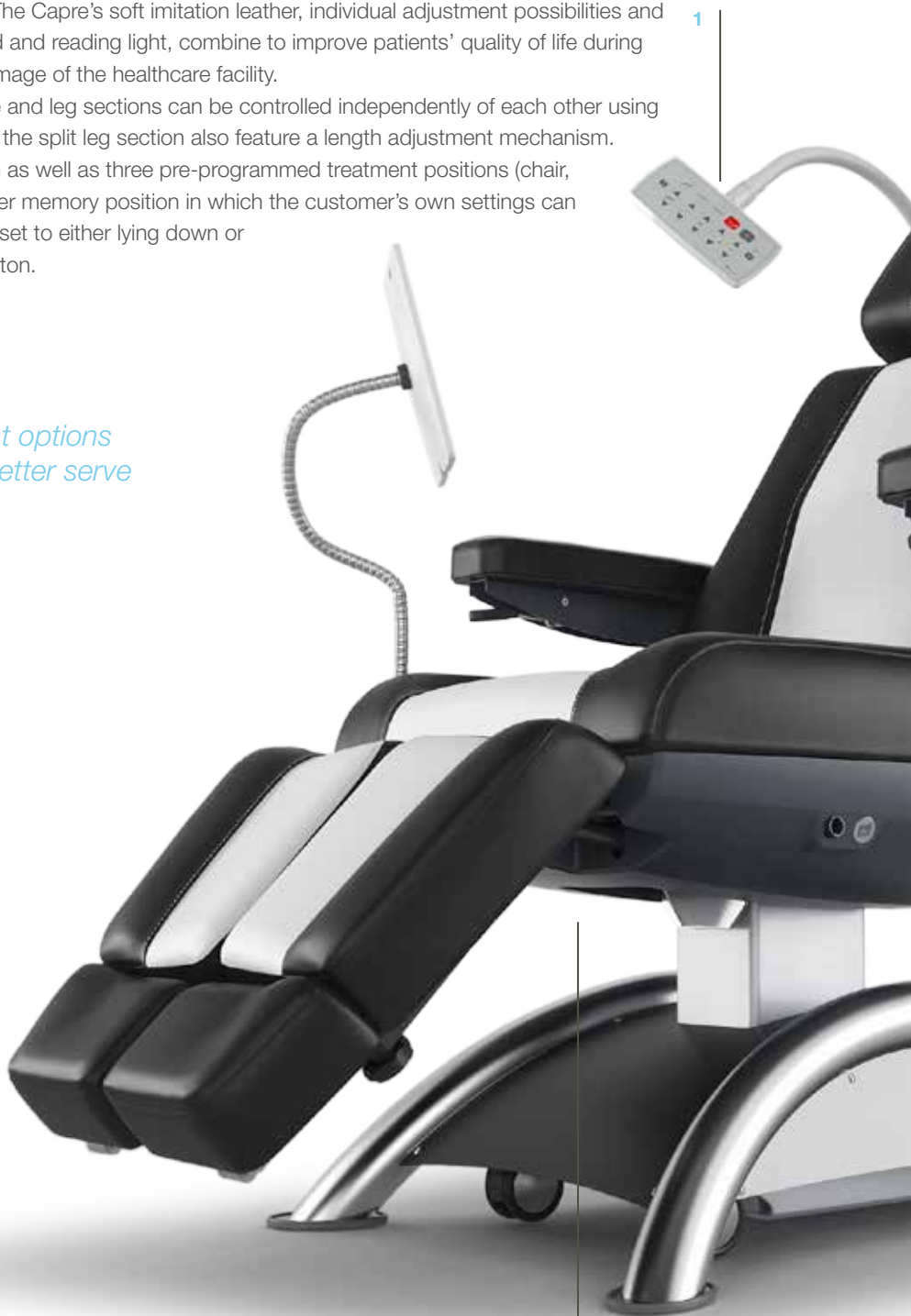
For recovery after day surgery

The luxurious Capre multipurpose chair has been designed together with surgeons to fulfil the demands of today's healthcare processes in post-day surgery recovery. The chair is used instead of the traditional hospital bed in order to improve patient vitality during recovery. The Capre's soft imitation leather, individual adjustment possibilities and built-in comforts, such as a tablet PC stand and reading light, combine to improve patients' quality of life during recovery, whilst also improving the quality image of the healthcare facility.

The chair's height, back section, seat angle and leg sections can be controlled independently of each other using electric motors. Both the head section and the split leg section also feature a length adjustment mechanism.

The chair features a Trendelenburg position as well as three pre-programmed treatment positions (chair, beach chair and flat lying surface) and a user memory position in which the customer's own settings can be stored. If needed, the chair can also be set to either lying down or resuscitation position by one press of a button.

*More adjustment options
than a bed, to better serve
the patient*



Product pictured with optional accessories.



Watch a video
<http://bit.ly/capretuoli>



Main features

- 1 Four pre-programmed positions and one user-programmable position
- 2 Impressive modern design and anatomically contoured upholstery for improved patient comfort
- 3 Adjustable multi-function arm rest (height and angle adjustment as well as rotation)

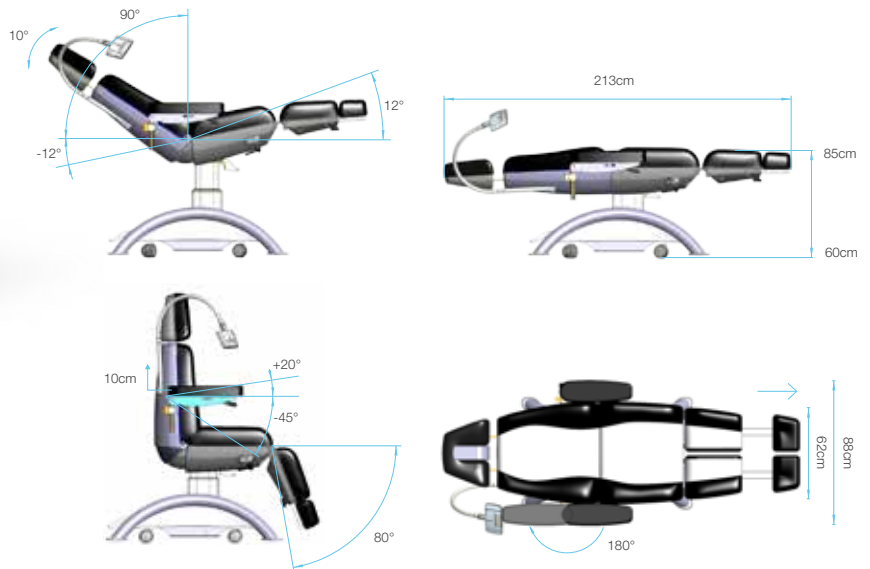
Technical features



Other accessories

- Neck cushion
- Arm rest suitable for blood sampling
- Tablet support with flexible arm
- Coffee tray
- IV-pole, one hand adjustable
- LED light (USB)
- Foot control for Trendelenburg adjustment
- Wired hand control (instead of flexible arm)

Dimensions



Capre MC medical chair

Patient comfort during demanding treatment

The Capre MC Medical Chair has been designed together with surgeons to fulfil the demands of today's healthcare processes such as dialysis and cytostatic treatments. Thanks to its modular construction the chair can also be used as an examination chair. The chair features a Trendelenburg position as well as three pre-programmed treatment positions (chair, beach chair and flat lying surface) and a user memory position in which the customer's own settings can be stored. The chair can be set, for example, to a lying down or resuscitation position by one press of a button.

Ergonomic care – comprehensive adjustability and easy versatility



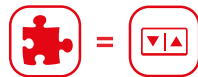
Watch a video
<http://bit.ly/capretuoli>



Main features

- 1 Independently adjustable height, back section, seating angle and leg section with electric motors
- 2 Four pre-programmed positions and one user-programmable position
- 3 Patient-adjustable foot support (optional)

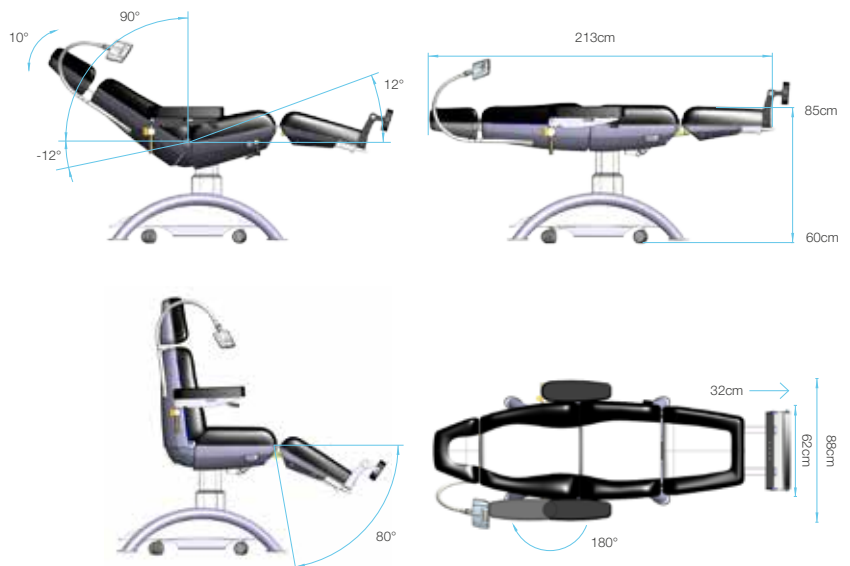
Technical features



Other accessories

- Neck cushion
- Arm rest suitable for blood sampling
- Foot support with stepless hydraulic length adjustment
- Tablet support with flexible arm
- Coffee tray
- IV-pole, one hand adjustable
- LED light (USB)
- Foot control for Trendelenburg adjustment
- Wired hand control (instead of flexible arm)
- Plastic cover for section

Dimensions





Geriatric chair 6702

Lojer's geriatric chair is one of the most versatile on the market. The chair was designed focussing primarily on seating comfort and functionality. **Standard accessories:** | Epoxy coated steel frame | Sturdy push handle | Individually locking Ø125/150 mm castors | Directional castor | Steplessly adjustable, gas spring assisted tilting seat/back rest | Steplessly adjustable tilting calf support | Steplessly adjustable foot support | Backward folding and steplessly inclining arm rests | Neck cushion | Newspaper holder | Dining tray that can be locked into arm supports (depth adjustment) | Imitation leather upholstery (inner surface is moisture protected with urethane) **Other accessories:** Neck cushion | Microfibre fabric | Seat belt with soft, fur padding, crotch model | Pair of neck supports | Pair of body supports | Length-adjustable calf support



Hydraulic nursing chair 6800

Lojer's hydraulic nursing chair is made to withstand demanding use. The chair features a high-quality epoxy-coated steel frame and stepless adjustment (51-83 cm) with a hydraulic foot pump. The calf section tilts steplessly and is gas spring-assisted, and the back section similarly tilts to a fully reclined position. The upholstery is easy to clean imitation leather, and the cushions are ergonomically shaped. **Standard accessories:** Steplessly adjustable foot support | Lockable Ø160mm castors | Directional castor | Backward folding arm rests, four positions with quick-release | **Other accessories:** Calf support | IV-pole | Arm rests suitable for blood sampling



Examination and Treatment Chair 6900

The 6900 chair features electric height adjustment (56-76 cm), combined back rest and calf support with easy to use hand controller, adjusts to reclined position. The chair also features lockable arm rests that fold down and back if needed. The seat section rotates 200°. The back section is short and the head section features a hole. The upholstery is easy to clean imitation leather. The chair also features a foot rest and lifting wheels. **Other accessories:** Electric foot control for adjusting the back section | Electric foot control for hi-low and horizontal positioning | Arm rests suitable for blood sampling



Chairs and stools



Round stool 24101

A round stool with a sturdy base and wheels. The chair features gas spring assisted height adjustment, with a choice of low (42 - 55 cm), medium (50 - 70 cm) or high (58 - 83 cm) height ranges. The stools are upholstered in grey imitation leather but are also available in other colours with a slightly longer delivery time. Maximum load 150 kg. **Optional accessories:** foot support ring | height adjustment with foot pedal | wheels that lock when seated.



Step Anatomic 24106

An anatomically shaped round stool with a sturdy base and wheels. The chair features gas spring assisted height adjustment, with a choice of low (42 - 55 cm), medium (50 - 70 cm) or high (58 - 83 cm) height ranges. The stools are upholstered in grey imitation leather but are also available in other colours with a slightly longer delivery time. Maximum load 150 kg. **Optional accessories:** foot support ring | height adjustment with foot pedal | wheels that lock when seated.



Easy rider saddle chair 24202

Seamless saddle chair with a sturdy base and wheels. The chair features gas spring assisted height adjustment, with a choice of low (37 - 60 cm), medium (55 - 75 cm) or high (63 - 88 cm) height ranges, and seat angle adjustment. The saddle chair is upholstered in black leather but is also available in other colours with a slightly longer delivery time. Maximum load 150 kg. **Optional accessories:** foot support ring | height adjustment with foot pedal | wheels that lock when seated.



Easy rider pro saddle chair 24205

Saddle chair with adjustable two-part seat, a sturdy base and wheels. The chair features gas spring assisted height adjustment, with a choice of low (37 - 60 cm), medium (55 - 75 cm) or high (63 - 88 cm) height ranges, and seat angle adjustment. The saddle chair is upholstered in black leather but is also available in other colours with a slightly longer delivery time. Maximum load 150 kg. **Optional accessories:** foot support ring | height adjustment with foot pedal | wheels that lock when seated.



Shower furniture and transport stretchers

Shower trolley Veera 4310



The sturdy showering trolley features hydraulic height adjustment with foot pedals, with a range of 54 - 87 cm. The trolley is fitted with heat insulated padding and a pillow. The rails can be easily adjusted from both ends. The frame is epoxy-coated stainless steel. The trolley features high-quality durable, water-tight 150mm castors/wheels and a lockable direction wheel as standard, making manoeuvring around the ward and corridors easy. The trolley tilts for drainage using a gas spring and has a drainage hose, complete with drip prevention and storage hook.



Shower chair Venla 4080

The 4080 shower chair is extremely sturdy and features hydraulic height adjustment, height adjustable foot supports which turn to the side, and lifting arm rests which can be used as a support frame. The frame of the chair is stainless steel and it features stainless, individually lockable 125 mm wheels and a locking direction wheel. The seat and back section are soft urethane with an anti-slip finish. The chair features hydraulic height adjustment (52 - 87 cm) which is operated by foot pedal. Fits over most standard toilet seats and can also be used in the sauna (with limitations, height up to 86 cm). **Optional accessories:** WC bowl and holder | Lid for the seat and water cushion.



First-aid stretcher EA 4315

A stretcher model featuring durable hydraulic height adjustment with foot pedal operation and easy, gas spring assisted back section adjustment. The back and bed section surfaces are easy to clean, durable Iki high pressure laminate. The stretcher features centrally lockable 150 mm wheels and a pushing handle that can be turned down out of the way. **Optional accessories:** Trendelenburg adjustment | 4 x IV pole mounts | Bumper rollers | Padding | Oxygen bottle stand for 5 kg bottle | Accessory tray in the lower frame | straps and side rails (pair).



Hydraulic Transport Stretcher 4315

A popular stretcher model which features hydraulic height adjustment with foot pedal operation, gas spring assisted back section adjustment and Trendelenburg adjustment. The stretcher also features a high pushing handle that can be turned down out of the way, bumper rollers, centrally lockable 125 mm wheels, 4 IV pole mounts and mounts for side rails. **Optional accessories:** X-ray cassette pocket | Stand for paper roll | Pair of side rails | Accessory tray | Fixing straps | IV stand and oxygen bottle stand.



Product pictures with optional accessories.



Examination and gynaecological tables

General examination table 4040X

A new, versatile general examination table

The all-new 4040X general examination table is suitable for general examinations in different healthcare facilities. Its patented construction and extremely low minimum height mean that even children and elderly patients are able to get up onto the table with ease. The table is lighter and easier to manoeuvre than traditional examination tables. The new motor technology allows for back section height adjustment electrically or manually, if required.

The widest height adjustment range on the market and a high load capacity enable comfortable, efficient working for care providers and increase safety when examining or moving patients. The table features a paper roll stand and cutter as standard, as well as an adapter for fitting an IV-stand (6 possible fitting positions). A hands-free height adjustment bar is available as an option, enabling the table height to be adjusted from both sides of the table by foot.

*The lowest examination table on the market –
minimum height just 40 cm*



Product pictured with optional accessories.

Main features

- 1 Market-leading height adjustment range 40 – 95 cm
- 2 Simple frame construction enables easy cleaning and high level of hygiene
- 3 New motors lower using gravity, improving safety for patients and users

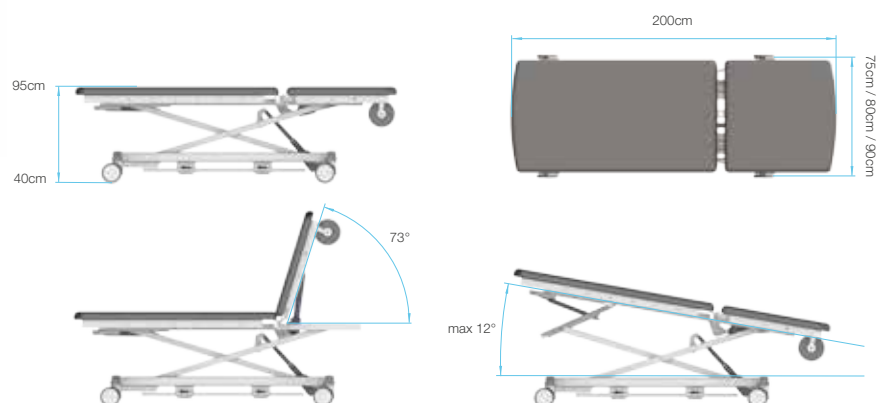
Technical features



Other accessories

- Side rails
- IV-pole
- Arm rest
- Neck cushion
- Examination light
- Push handles
- Antimicrobial upholstery
- Accessory rail 10*25mm (max. 6 units)
- All accessories fitted to accessory rail fixing
- Anaesthesia frame

Dimensions



Main features

- 1 Centrally lockable and directional lockable double wheels: 17% lighter to manoeuvre and 95% more sturdy
- 2 Electrically operated hands-free height adjustment from all sides of the table
- 3 Stepless, gas spring assisted seat section height adjustment 0 - 15°

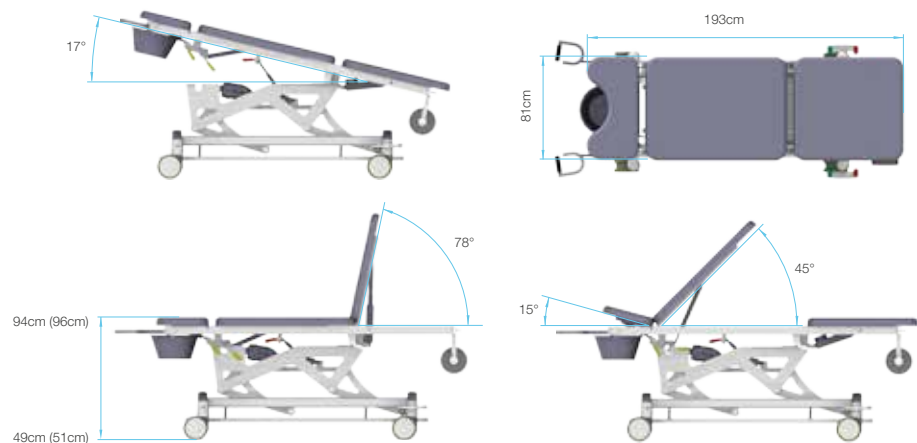
Technical features



Other accessories

- Side rails
- Antistatic castors
- Arm rest
- Neck cushion
- Examination light
- Antistatic upholstery
- Cutter for paper roll holder
- Accessory rail 10*25mm (max. 6 units)
- All accessories fitted on accessory rail
- Adjustable calf support

Dimensions



1

Gynaecological examination chair Afia 4060

Versatile and easy adjustment

The Afia 4060 is an easy to use examination chair that has been developed specifically for gynaecological and urological procedures. It features a two-part top, flexible and easy to use adjustment options and a good level of equipment as standard, such as a neck pillow and paper roll holder. The chairs are available in 20 SKAI upholstery options as well as antibacterial and antistatic options.

The Afia 4060 gynaecological examination chair features adjustable heel supports and electric height, seat section and back section adjustment using a hand controller. The chair can also be electrically set to Trendelenburg position.

A versatile examination chair for small spaces



Product pictured with optional accessories.



Main features

- 1 Motorised height, back section and seat section adjustment
- 2 Small footprint: overall length 140 cm
- 3 Motorised Trendelenburg position adjustment

Technical features



Other accessories

- Adjustable calf support
- Arm supports
- Cutter for paper roll holder



1

Dimensions



General examination table E2 (E1 and EG)

Sturdy, Versatile Examination Table

Designed for use in examination rooms, the versatile Capre E2 examination table offers the perfect combination of user comfort and functionality. The table stands firmly on its own feet and does not feature large wheels for transport. Boasting modern design, excellent adjustment possibilities and quiet operation, the Capre E2 represents excellent value for money.



A sturdy, modern general examination table

Also available:



Capre EG examination table for general gynaecological use. Product pictured with optional accessories.



Capre E1 for general use. Product pictured with optional accessories.

Main features

- 1 Expandable functionality for changing needs
- 2 Stands firmly on its own non-marking rubber feet
- 3 Load capacity (SWL) 210 kg

Technical features

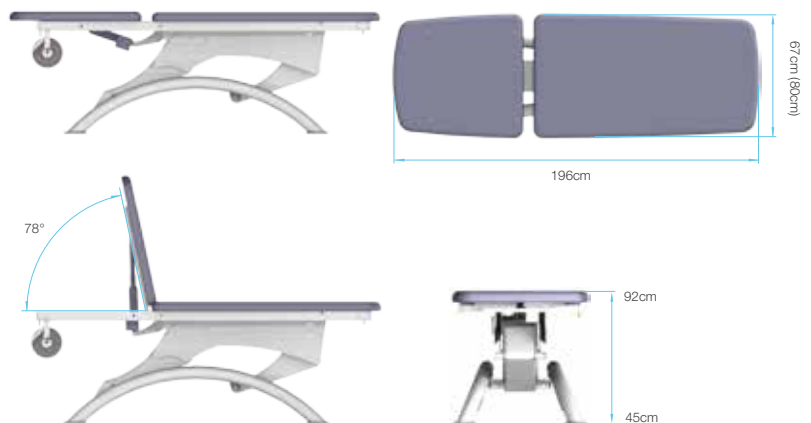


Other accessories

- Paper roll holder
- Cutter for paper roll holder
- Neck cushion
- IV-pole mount
- IV-pole

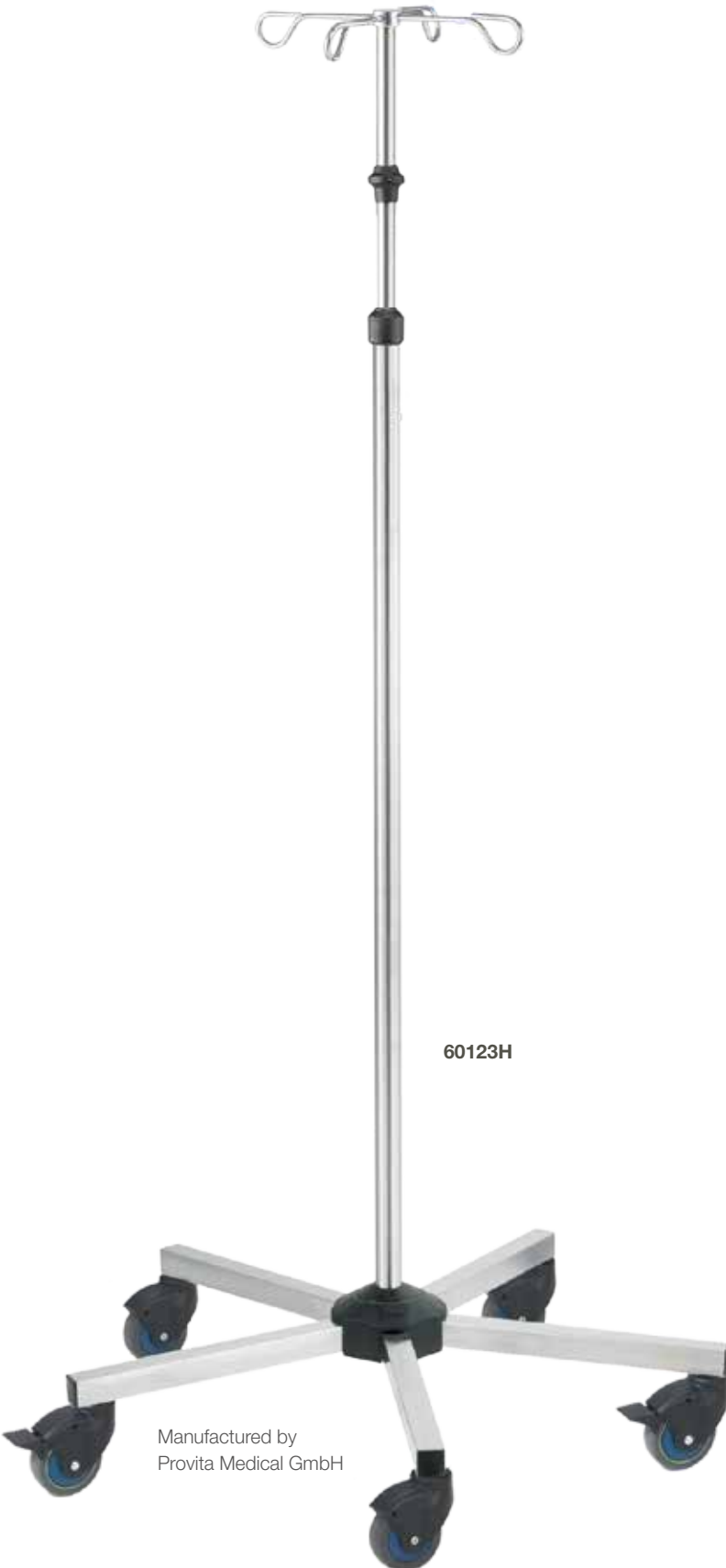


Dimensions



Product pictured with optional accessories.

Transfusion Stands (IV-poles)



60123H

Manufactured by
Provita Medical GmbH

Transfusion stands are used for a number of applications in hospitals, health centres, doctors' surgeries and homes. They can be attached to Lojer's various beds and examination tables, or wheeled around on their own stands. Lojer transfusion/IV stands are supplied with a quick adjustment as standard, which allows adjustment using one hand and makes work easier for nursing staff. A chrome-plated or stainless steel frame can be chosen, depending on the usage environment.

60121 – IV Stand for Fitting to Furniture, Straight

Chrome-plated steel IV-stand. 4 hooks, capacity 4 x 2 kg. Single-handed height adjustment.

60122 – IV Stand for Fitting to Furniture, Elbow

Chrome-plated steel IV-stand with elbow. 4 hooks, capacity 4 x 2 kg. Single-handed height adjustment.

60123H – IV Stand on Wheels, Straight

Straight model chrome plated steel IV-stand with 5 wheels (Ø80 mm) of which 2 are lockable and antistatic. 4 hooks, capacity 4 x 2 kg. Single-handed height adjustment (1300 - 2170 mm). Overall weight 6.5 kg and diameter 635 mm.

60124H – IV Stand on Wheels, Elbow

Elbow model chrome plated steel IV-stand with 5 wheels (Ø80 mm) of which 2 are lockable and antistatic. 4 hooks, capacity 4 x 2 kg. Single-handed height adjustment (1490 - 1870 mm). Overall weight 6.5 kg and diameter 635 mm.

60120 – IV Stand for RST rail, Straight

Straight model stainless steel IV-stand, diameter 18 mm. Requires rail lock. 4 hooks, capacity 4 x 2 kg. Single-handed height adjustment.

60125 – Flexible IV Stand for STD Side Rails

Flexible stainless steel IV-stand suitable for all EU-approved 10 x 25 mm side rails (inc. rail lock). Attaches to e.g. examination or operating table side rail. 2 hooks, capacity 2 x 2 kg. Single-handed height adjustment. Overall weight 2 kg.

60127 – IV Stand for Demanding Applications

Stainless steel / aluminium IV-stand on wheels for demanding use. Single-handed height adjustment (1500 - 2300 mm). 4 hooks, capacity 4 x 2 kg. 5 x 75 mm double wheels, of which 2 are lockable and antistatic Extra sturdy base, overall stand weight 11 kg and base diameter 630 mm.

Operating tables and accessories



Sold to over 30 countries

Photo: Hospital Neo (Finland)

Scandia SC330 operating table

Electrohydraulic operating table for general surgery

The Scandia is a modern electro-hydraulic operating table offering market-leading functionality, adaptability and design. The Scandia operating table is suitable for all types of surgical procedures. The Scandia is a reliable, easy to use long-term solution for the operating theatre. The modular table top has been designed to follow the joints in a person's body, providing optimum support for whatever surgical procedure is taking place.

*Ergonomic working – versatility
and easy adjustability*



Main features

- 1 Three double wheels allow easy manoeuvring and rotating the table in position
- 2 Small hand controller that can be used with one hand
- 3 The sections of the 6-part top can be easily changed according to the needs of different procedures

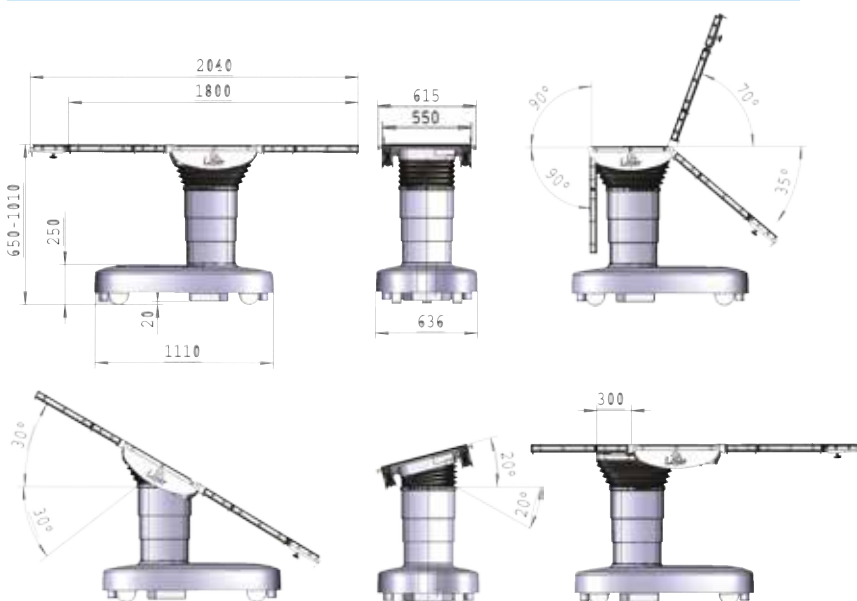
Technical features



Other accessories (factory installed)

- Sliding top 300 mm, electric
- Motorised driving wheel system
- Directional wheel system
- Stainless steel base and column covers
- Bluetooth hand control
- Override, battery driven
- X-ray cassette tunnel + cassette holder

Dimensions



1

Operating table accessories

Lojer accessory range fits most makes of operating table

Lojer's selection of high quality operating table accessories is designed to complement the features of operating tables in various surgical procedures. All components and materials used have been carefully selected and manufactured – Lojer has 30 years' experience of operating tables and their accessories. Accessories are easy and safe to attach, saving time and improving efficiency in the operating theatre. Lojer's carefully designed accessories help provide the best comfort and safety for the patient.



Example accessories

Our range is continually expanding – to see the latest information, visit:
www.lojer.com > healthcare > operation table accessories

Lojer Symbols



SURFACE WIDTH
Width of the product's patient surface



BATTERY DRIVEN
Product can be equipped with a battery (typically optional)



PATIENT SURFACE LENGTH
Length of the product's patient surface



HAND CONTROLLER
Product can be adjusted using a hand controller



SAFE WORKING LOAD
Maximum load capacity, including the weight of the patient, mattresses and accessories



HANDS FREE – HEIGHT ADJUSTMENT BAR
The height of the product can be adjusted by foot from all sides of the product



PATIENT WEIGHT
Highest allowed patient weight



ELECTRIC FOOT CONTROL
The product can be adjusted using a foot control



HEIGHT ADJUSTMENT RANGE
Max. and min. height of the lying surface



HYDRAULIC HEIGHT ADJUSTMENT
The height of the product can be adjusted by pedalling the hydraulic cylinder



CASTOR DIAMETER
Diameter of the individually locking or central locking castor/wheel (mm)



TRENDELENBURG ADJUSTMENT
The product features Trendelenburg adjustment



TWIN CASTOR DIAMETER
Diameter of the individually locking or central locking twin castor/wheel (mm). The mobility and solidity of the twin castor is significantly better than the standard castor.



ANTI-TRENDELENBURG ADJUSTMENT
The product features anti-Trendelenburg adjustment



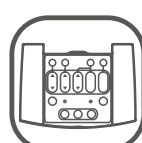
5. CASTOR
Fifth castor in the middle of the bed significantly improves mobility.



CPR FUNCTION
The back section can be quickly lowered to horizontal position



CENTRAL LOCKING
Product has mechanical or electric central locking of the castors. Locking is executed by locking each castor simultaneously or with a retractable lifting system.



NURSE CONTROL PANEL
Optional control panel allows use of pre-programmed functions or preventing the patient from using certain functions



NUMBER OF FUNCTIONS
Number of functions the product features. For instance, hi-low function and adjustable back section function (=2x)



ACCESSORIES
Product can be equipped with factory installed accessories or retrofitted accessories

SKAI® Upholstery – durable, practical and attractive

Lojer products are upholstered using high quality SKAI® imitation leather. Manufactured in Germany, SKAI imitation leather is pleasant on the skin, durable, easy to clean, flame retardant and fulfils the stringent requirements set for materials used in medical equipment.

Skai Fashion

Skai Fashion is a high quality leather-like material. It imitates real leather in both appearance and feel. Skai Fashion material is long-lasting and easy to clean with mild soap and a microfibre cloth. The material is resistant to mild disinfectants but must always be wiped after disinfecting with a clean, damp cloth. Solvents, chlorides, abrasives, chemical cleaning or wax polishes must not be used. The material is flame retardant.

-  Long-lasting
-  Anti-tearing
-  Durable
-  Anti-fading
-  Easy clean



BS5852 IS-0+1+5,
DIN4102 (Part 1, B1)
DIN4102 (Part 1, B2),
DIN53438 (Part 2)
EN1021-1+2, MVSS302,
NF M2



snow white



grape+



platin



graphite



ocean



sky



river



aqua



lime+



citron



mango



chili



perle



schoko



espresso+



schwarz

Skai Clinica

Skai Clinica is a high quality synthetic material. The surface of the material is pleasantly smooth and shiny. The material is antibacterial (JIS Z 2801) and resistant to secretions, making it highly recommended for medical applications. The material is biocompatible (according to EN ISO 10993-5) meaning it is safe for skin. Skai Clinica material is also highly durable and is therefore suitable for massage and wellness applications.



perle clinica



river clinica



platin clinica



Long-lasting



Anti-tearing



Disinfectant resistant



Durable



Anti-bacterial



Anti-fading



Easy clean



Secretion resistant



Oil and grease resistant



Biocompatible



NF M2,
BS5852 IS-0+1,
EN1021-1+2,
DIN4102 (Part 1, B2),
MVSS302,
DIN53438 (Part 2)

Skai Conductive

Skai Conductive is a high quality imitation leather material that looks and feels like real leather. The material is also electrically conductive, making it recommended for medical applications where electrostatic discharges must be avoided (e.g. heart examinations). Skai Conductive material is long-lasting and easy to clean using mild detergent and a microfibre cloth.



mano



Long-lasting



Anti-tearing



Disinfectant resistant



Electrically conductive



Anti-fading



Easy clean

LOJER[®] *For easy care*

HEALTHCARE AND SENIOR CARE EQUIPMENT
© Lojer Group 2017. All Rights Reserved.
Lojer Oy, PL 54, 38201 Sastamala, Finland
Tel +358 (0)10 830 6700 | Fax +358 (0)10 830 6702 | info@lojer.com
www.lojer.com

